

(TPM-3015) TELE-POD MOUNT INSTRUCTIONS

INTRODUCTION

Thank you for purchasing the Tele-Pod Mount, a convenient, easy to use, travel mount for your Tele Vue telescope. The Tele-Pod combines the size, weight and flexibility of a photo-tripod with the smooth, balanced altitude/azimuth motions of our yoke and cradle mount head. Tele-Pod is perfect for our lighter weight scopes up to the Tele Vue-76 (up to the Tele Vue-85 for terrestrial uses). The Tele-Pod Mount can be outfitted with the Sky Tour computer (SKC-3000 & STN-4001) and Eyepiece Caddy Set (TEC-1018) with optional Sky Tour Caddy Plate (SCP-1019). (See separate instructions).

COMPONENTS

The Tele-Pod (TPM-3015) consists of the mount head (TPH-1016) and tripod (TPT-3017). The head supports the scope and provides vertical and horizontal motions. It features: smooth operating altitude and azimuth bearings with tension adjustments, Delrin scope stop in case the objective end accidentally "nose-dives", and both 3/8"-16 and 1/4"-20 attachment holes on the bottom of the azimuth bearing plate.

The tripod supports the head and allows height adjustment of the scope. The tripod legs have rubber feet. See separate instruction sheet for more features of the tripod. Familiarize yourself with the call-outs on the assembly photos for easy reference and you will quickly learn how to put your Tele-Pod to best use.

SET-UP

WARNING: If setting up on a slope, ensure that the tripod legs are extended so that the head is approximately level with the horizon. Failure to do so could cause the telescope to tip over! This risk increases when using larger, longer scopes.

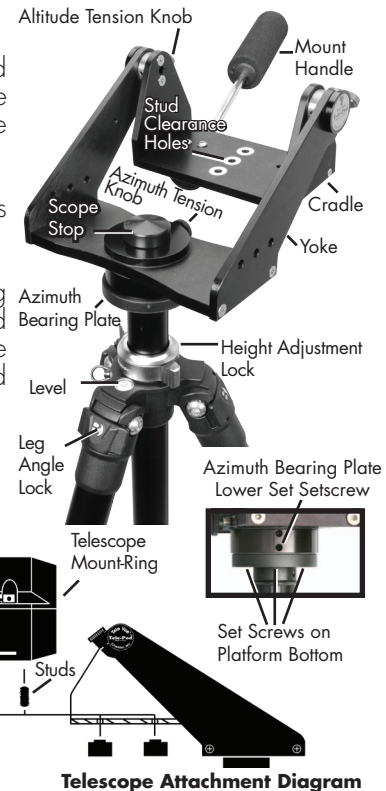
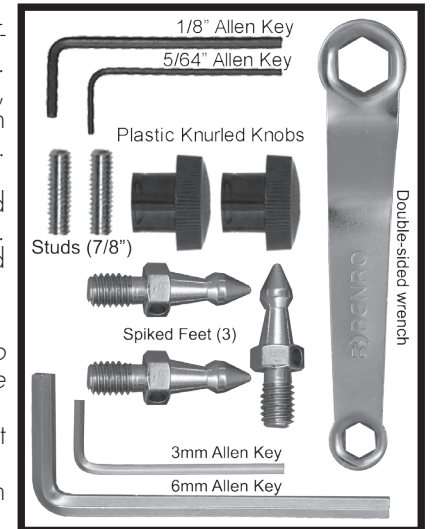
- 1) Thread the two studs into the two end holes on the bottom of the telescope mount ring. Snug tight using the supplied Allen key.
- 2) Now on the tripod, make sure the Leg Angle Locks are pushed in. Then loosen top leg clamps without completely unscrewing them.
- 3) Extend each leg so that the mount head is slightly above the desired height.
- 4) Tighten leg clamps.
- 5) Spread all three tripod legs to the limit of the Leg Angle Locks and the mount head should be at the desired height and approximately level. If you need the head higher, loosen the center column's height adjustment lock knob and lift to the desired height. Note that the Tele-Pod's vibration dampening is best when the center column is not extended.
- 6) Refer to the Mount Handle instructions to attach it to the mount cradle.
- 7) With the cradle approximately level, set the scope down within it so that the studs pass through the clearance holes.
- 8) Lock the scope down with the supplied knurled knobs.
- 9) Note: Mount head can be moved to other Tele Vue tripods or camera tripods by using the 5/64" Allen to loosen lower set screw on Azimuth bearing plate. Flip over mount and use 3mm Allen to back off 3 small set screws on platform. Normally the bearing plate and platform set screws are tight to prevent unscrewing of mount head as mount is turned in azimuth. Now unscrew the Tele Pod Head.

USE

- 1) Place eyepiece in scope.
- 2) Apply slight and equal tension to altitude bearings using the altitude tension knobs.
- 3) Swing the scope up approximately 45° and check balance. If the scope wants to swing down, slide the scope back until balance is achieved. If the scope wants to swing up, push it forward until balance is achieved. Use mount-ring bat-handle to loosen or tighten scope in ring.
- 4) Apply more tension to achieve the desired feel. Extra tension can be used to overcome a minor out-of-balance condition. However, excessive tension will cause the movement to be "jerky." Severe overtightening could strip the threads in the mount head.
- 5) The basic azimuth tension is set at the factory and should not be readjusted. Should additional azimuth tension be desired, tighten the azimuth tension knob.
- 6) The most stable way of slewing your scope is by grasping a fixed part, (i.e. focuser body) or mount handle. Slewing the scope by the diagonal could cause image shift when you release.
- 7) When changing an eyepiece, it is advisable to first lock one of the altitude tension screws tight before removing the eyepiece from the telescope. Once you have changed eyepieces, loosen that altitude tension screw to resume normal movement.

Parts Check List

- Tele-Pod Mount (TPM-3015)
- Tripod Bag
- Mount Handle
- Small-Parts Bag: (2) Studs for scope attachment, (2) Plastic Knurled Knobs, (4) Allen Keys: (1) 1/8", (1) 5/64", (1) 3mm, (1) 6mm, (3) spiked feet, & (1) double-sided wrench



WARNING: Rotating the Tele-Pod head while the azimuth tension knob is tightened could cause the azimuth bearing to unscrew and separate.