



# WARRANTY INFORMATION

We sincerely thank you for your purchase and wish you years of pleasure using it!

## Tele Vue Warranty Summary

Eyepieces, Barlows, Powermates, & Paracorr have a "Lifetime Limited" warranty, telescopes & accessories are warranted for 5 years. Electronic parts are warranted for 1 year. Warranty is against defects in material or workmanship. No other warranty is expressed or implied. No returns without prior authorization. Please keep your receipts in case you need warranty service.

Lifetime Limited Warranty details online: <http://bit.ly/TVOPTLIFE>

5-Year/1-Year Warranty details online: <http://bit.ly/TVOPTLIMITED>

### Keep For Your Records

Dealer: \_\_\_\_\_ City/State/Country: \_\_\_\_\_

Date (day/month/year): \_\_\_\_/\_\_\_\_/\_\_\_\_ Item Code / Description \_\_\_\_\_

32 Elkay Dr., Chester, New York 10918 (845) 469-4551. [televue.com](http://televue.com)



@televueoptics

# MOUNT HANDLE INSTRUCTIONS

## Parts List:

- 1) Palm Grip Mount Handle
- 2) Handle Attachment Block
- 3) Parts Bag including:
  - 2 # 10-32 button head screws
  - 1 Allen (Hex) Key



## Introduction

Thank you for purchasing the Mount Handle for the Tele Vue Tele-Pod and Panoramic Mount. Adding the handle to the bottom of the cradle will give you more control over the movement in both axes.

## Installation:

If you have a Tele-Pod or Panoramic Mount head that has a cradle base pre-drilled to accept the mount handle assembly:

- 1) Hold the Handle Attachment Block under the left or right side (whichever you prefer) of the cradle base and line up with holes.
- 2) Thread in the button head screws and tighten with the supplied Allen Key.

If your Tele-Pod or Panoramic Mount head is NOT pre-drilled for the Mount Handle:

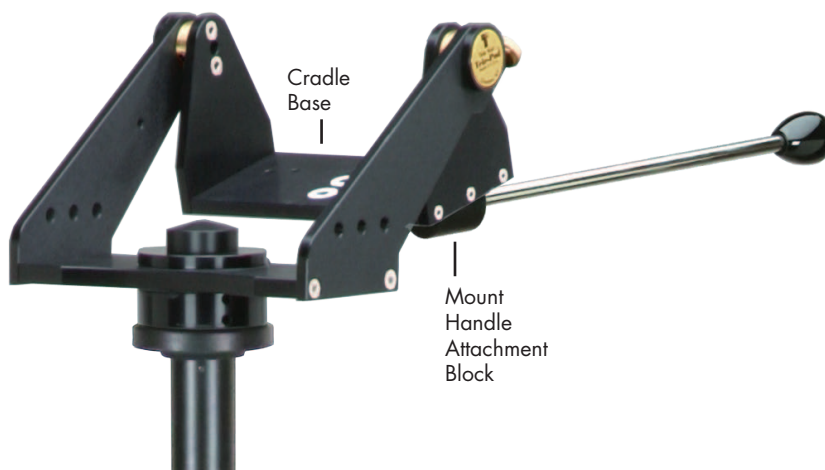
- 1) Using the supplied template as a guide, set your head up on a drill press and drill  $3/16$ " diameter clearance holes in either or both sides of the cradle base.
- 2) Hold the Handle Attachment Block under the left or right side (whichever you prefer) of the cradle base and line up with holes.
- 3) Thread in the button head screws and tighten with the supplied Allen Key.

## Removal:

For storage, you may unscrew the handle from the adapter block.



Mount Handle attached to Tele-Pod



# MOUNT HANDLE DRILLING TEMPLATE

