



WARRANTY INFORMATION

We sincerely thank you for your purchase and wish you years of pleasure using it!

Tele Vue Warranty Summary

Eyepieces, Barlows, Powermates, & Paracorr have a “Lifetime Limited” warranty, telescopes & accessories are warranted for 5 years. Electronic parts are warranted for 1 year. Warranty is against defects in material or workmanship. No other warranty is expressed or implied. No returns without prior authorization. Please keep your receipts in case you need warranty service.

Lifetime Limited Warranty details online: <http://bit.ly/TVOPTLIFE>

5-Year/1-Year Warranty details online: <http://bit.ly/TVOPTLIMITED>

Subscribe to our Blog for the latest Tele Vue news: <https://bit.ly/TeleVueBlog>

Keep For Your Records

Dealer: _____ City/State/Country: _____

Date (day/month/year): ____ / ____ / ____ Item Code / Description _____

32 Elkay Dr., Chester, New York 10918 (845) 469-4551. televue.com



@televueoptics

PANORAMIC™ (Advanced) MOUNT INSTRUCTIONS

Introduction & Use

The alt-azimuth Panoramic™ Mount is perfect for our lighter weight scopes. Ideal for terrestrial and astronomical viewing. The mount can be outfitted with encoders (STN-4001) for Digital Setting Circles / Computers and Eyepiece Caddy Set for maximum viewing pleasure.

The Panoramic Mount Head cradles the telescope at its center of gravity, to make operation smooth and easy. Brass bearings with tension adjustments provide a smooth vertical motion from about 17° below the horizon to almost Zenith (85°). To achieve smoothest operation it is important to have the telescope properly balanced in its mount ring, with the altitude tension knobs providing minimal drag. The tripod legs are crafted from solid wood and can position the cradle height from 28" to 46". The legs are tied together by a lightweight head. The triangular accessory tray adds extra stability to the tripod.

The Circular Wrench is used to tighten or optionally remove the tripod Base.

Tripod and Head Set-up

Please refer to the diagrams for part nomenclature.

Follow instructions packaged with handle to attach it to the mount.

If setting up on soil, twist the **rubber tips** at the bottom of each leg up to fully expose the metal spikes. On finished or hard surfaces, twist the rubber tips down to fully cover the metal spikes.

Setting-up on level ground - With the tripod upside down, pull the 3 Leg Extensions to the same height and lock in place with **Leg Extension Lock Knobs**.

Setting-up on uneven terrain - Proceed as above, then install Tray (next step). Extend remaining legs until head is approximately level. Lock **Leg Extension Lock Knobs**.

Note: The mount only needs to be sufficiently levelled so the telescope swings smoothly in any azimuth orientation.

Installing Tray - With tripod right side up, spread apart tripod legs until they lock. Remove the triangle tray from its box. Unscrew the **Tray Retaining Knob** at the center of the leg spreaders to reveal a threaded rod. Place the tray between the legs of the tripod so the threaded rod passes through the center hole of the tray. Replace the knob.

Mounting Telescope

Swing the **Mount Cradle** until approximately level and tighten the **Vertical Tension Knobs**. Using the Allen wrench provided, screw the studs into the 2 outer holes of the telescope **Mount Ring** until they bottom. (Be careful not to overtighten; Mount Ring is aluminum and threads may strip.)

Place the telescope down on the **Mount Cradle** inserting threaded studs in the telescope mounting ring into cradle holes. Note, orient telescope so **Vertical Tension Knobs** are closer to the telescope's eyepiece end. Fasten in place with **Plastic Knobs***.

Loosen **Vertical Tension Knobs** and balance telescope so that **Vertical Tension Knobs** need very little, if any, tightening.

Remember, when carrying with or without telescope, the **Mount Head** can easily slip or fall out if the **Star Knob** is loose.

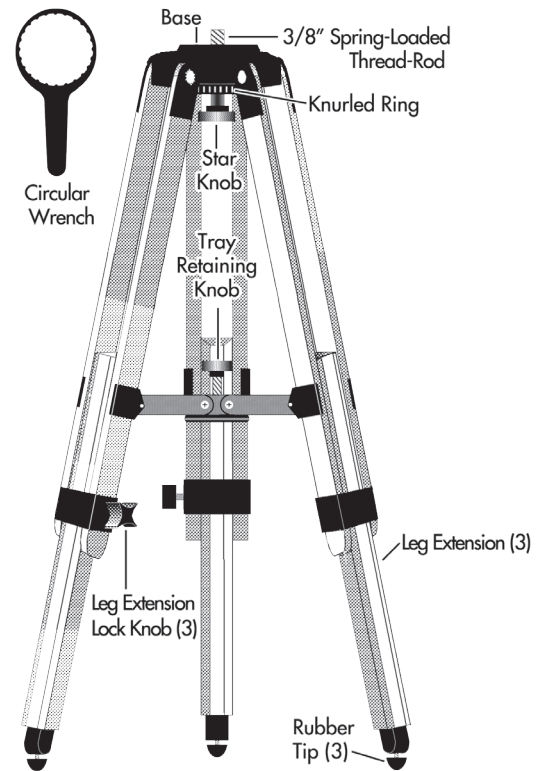
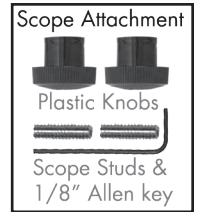
*LEAVE KNOBS ON STUDS WHEN STORING SCOPE IN CASE TO PREVENT RIPPING FOAM LINER.

Removing Panoramic Mount Head - Mount head can be moved to other Tele Vue tripods or camera tripods by using a 5/64" Allen (not supplied) to loosen **lower set screw** on Azimuth bearing plate. Now Loosen the star knob with one hand while holding the head with the other until the head is free.

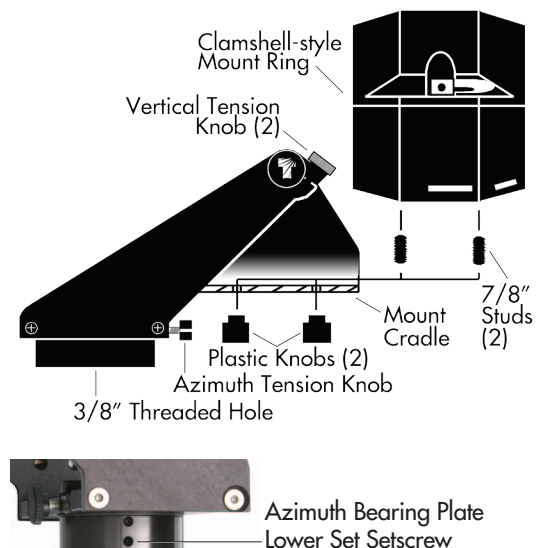
Tightening Base - In the unlikely event that the **Base** holding the 3/8" threaded rod and star knob become loose, slip the **Circular Wrench** between the tripod legs and up onto the **Knurled Ring**. Turn the wrench counter-clockwise (viewed from above), resetting the wrench position if it encounters a tripod leg before fully tightening.

Parts Check List

- Panoramic Mount Head
- Wood Tripod
- Wood Tray
- Mount Handle
- Small-Parts Bag includes:
 - (2) Plastic Knobs for scope
 - (2) Studs for scope attachment
 - (1) 1/8" Allen Key
 - (1) Plastic Circular Wrench



WARNING: Rotating the Tele-Pod head while the azimuth tension knob is tightened could cause the azimuth bearing to unscrew and separate.



MOUNTS with ENCODERS SET-UP INSTRUCTIONS

Introduction

The addition of Digital Setting Circles or computers (DSC / Computer) to the mount head greatly enhances your fun and capability. For utmost convenience, we recommend the optional Eyepiece Caddy to hold your eyepieces and attach a mounting bracket or plate for your DSC / Computer. This sheet covers installing your DSC / Computer on our encoder equipped mount head with and without the optional Eyepiece Caddy. See Mount Instructions for setting up tripod, head, telescope attachment, and general use before continuing here.

Optional Components

The optional Eyepiece Caddy Set mounts to the Yoke arms of the head and provides a place to put 5 eyepieces. Holes on the left and right Caddy brackets can be used to mount a plate or bracket to support your DSC / Computer within arms reach.

Installation

Optional Eyepiece Caddy Set

For installation see instruction sheet that came with Eyepiece Caddy Set.

"Y"-Cable Harness

This cable contains one large RJ-45 "Ethernet" jack with cables that terminate in two RJ-11 "telephone" jacks. These smaller jacks are labeled "azimuth" and "altitude".

The azimuth jack should already be connected to the Azimuth encoder. Take the altitude jack and connect it to the Altitude encoder. Then put the large jack into your DSC / Computer.

DSC / Computer Wiring Connections

Once you're satisfied with your position choice below, use hook and loop or similar detachable fastener to attach the DSC / Computer. This will make it easier to relocate your device if there is need to.

If the DSC / Computer is used without a support plate or bracket, you must decide the best location for mounting your DSC / Computer so there is no danger of wires wrapping around the mount as it rotates. The outside of the yoke arm without encoder is a good location. Make sure the DSC / Computer is oriented to make it easy to plug and unplug the connections.

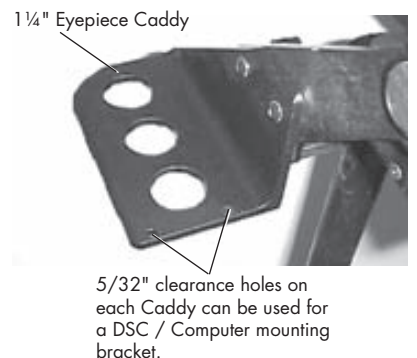
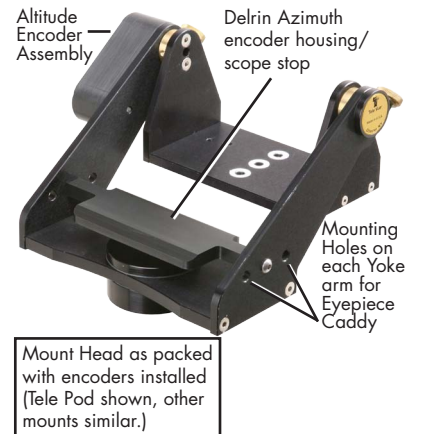
If DSC / Computer bracket is attached to the Caddy, there are two 5/32" clearance holes on each Caddy to use with screws or bolts for mounting a support plate you provide. Pick the left or right Caddy depending on which hand you want to use.

DSC / Computer Setup

- Mount-Type: Alt-Az or Dobsonian
- Encoder Steps / Resolution: 2160

Please follow the instructions in your DSC / Computer manual to set the above values for Tele Vue encoders and verify or change the encoder direction sense.

Please refer to the operating guide for specific instructions on use of your DSC / Computer.



GREAT ACCESSORY: EYEPIECE CADDY SET

Part Numbers

Eyepiece Caddy Set (TEC-1018)

INTRODUCTION

This versatile accessory attaches to the yoke arms of your Tele Vue mount and places five eyepieces conveniently at your fingertips. The Caddy Set is precision machined aluminum, and powder-coated for lifetime durability. It's a *must have* item for Tele-Pod owners.

Available clearance holes at the ends of each Caddy can be used as mounting points for your DSC / Computer.

INSTALLATION

The most current yoke and cradle heads have the attachment holes already drilled into the arms. Attach each Caddy bracket by passing the screws through the clearance holes in the yoke arms and fixing the wing knob tight.

The angled edge will match the arms, so that when viewing from the telescope eyepiece position, the (3) 1 1/4" holes will be on the left side, while the (2) 2" holes with removable 1 1/4" plastic plugs will be to your right.

USE

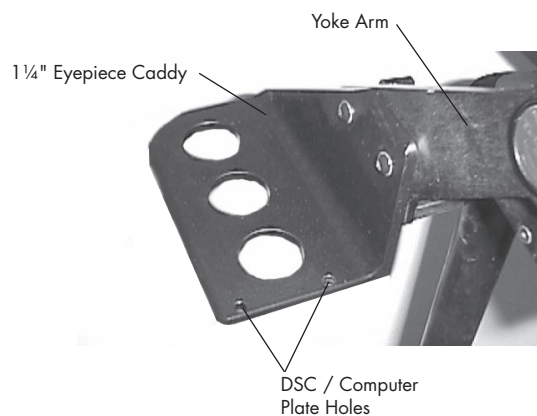
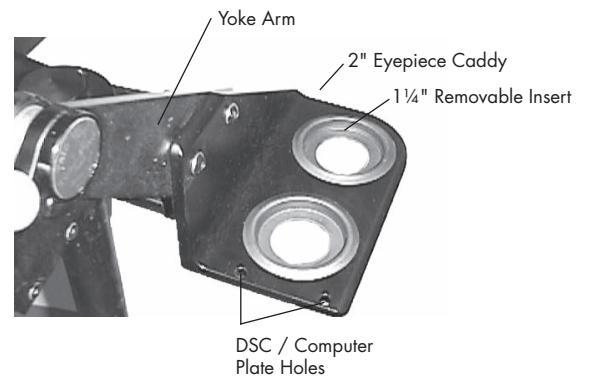
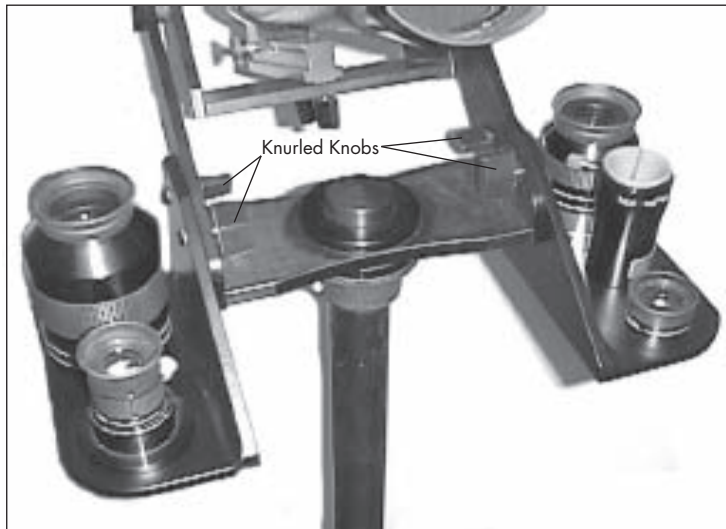
You can place up to (5) 1 1/4" eyepieces in the Caddy Set, or by removing the plastic inserts, use (3) 1 1/4" and (2) 2" eyepieces. To remove the 1 1/4" inserts, push up from the bottom. To reinstall the 1 1/4" inserts, push them in from the top by running your thumbs around the outer lip. They will snap into place.

If you have dual barrel eyepieces you can use either 1 1/4" or 2" holes, but the outside lock screw in the 2" eyepiece barrel must be removed.

Of course, your Barlow or Powermate units, or 2" to 1 1/4" adapters can also be placed in the Caddy Set.

DSC / Computer Mounting

The ends of the Eyepiece Caddy make a good mounting location for your DSC / Computer. This conveniently locates the unit at your fingertips. There are two 5/32" clearance holes available on each Caddy to use for mounting a support plate you provide.



Typical DSC / Computer mounting location (not sold by Tele Vue)