

**TeleVue<sup>®</sup> Visionary** **WARRANTY REGISTRATION FORM**

We sincerely thank you for your purchase and wish you years of pleasure using it!

**Tele Vue Warranty Summary**

Eyepieces, Barlows, Powermates, & Paracorr have a "Lifetime Limited" warranty, telescopes & accessories are warranted for 5 years. Electronic parts are warranted for 1 year. Warranty is against defects in material or workmanship. No other warranty is expressed or implied. No returns without prior authorization.

Lifetime Limited Warranty details online: <http://bit.ly/TVOPTLIFE>  
 5-Year/1-Year Warranty details online: <http://bit.ly/TVOPTLIMITED>

**Keep For Your Records**

Dealer: \_\_\_\_\_ City/State/Country: \_\_\_\_\_

Date (day/month/yr): \_\_\_\_/\_\_\_\_/\_\_\_\_ **Big Paracorr Type 2 (VIP-3010)**

**Tele Vue<sup>®</sup>**  
 32 Elkay Drive  
 Chester, NY 10918-3001  
 U.S.A.

Please fill out, cut out, and mail form below within 2-weeks of product purchase. **Please include copy of sales receipt that has your name, the dealer name, and product name.**

Cut out mailing address at left, tape to envelope, insert form & sales receipt in envelope and apply sufficient postage to envelope.

**Big Paracorr Type 2 (VIP-3010)**

\_\_\_\_\_  
 Name Last                      First

\_\_\_\_\_  
 Street Address

\_\_\_\_\_  
 City                                  State/Province

\_\_\_\_\_  
 Postal                                  Country  
 Code

Email\*: \_\_\_\_\_

Phone: \_\_\_\_\_

Astro Club: \_\_\_\_\_

\*  Check to receive email blog / newsletter

How did you learn about this product?

Dealer     Friend     Tele Vue Blog  
 CloudyNights.com     TeleVue.com  
 Social Media/Magazine/Other(s):

What made you decide to buy this and your comments after using the product?

\_\_\_\_\_

Purchase Information

Dealer: \_\_\_\_\_

City/State/Country: \_\_\_\_\_

Date (day/month/yr): \_\_\_\_/\_\_\_\_/\_\_\_\_

# VIP-3010 BIG PARACORR™ Type-2

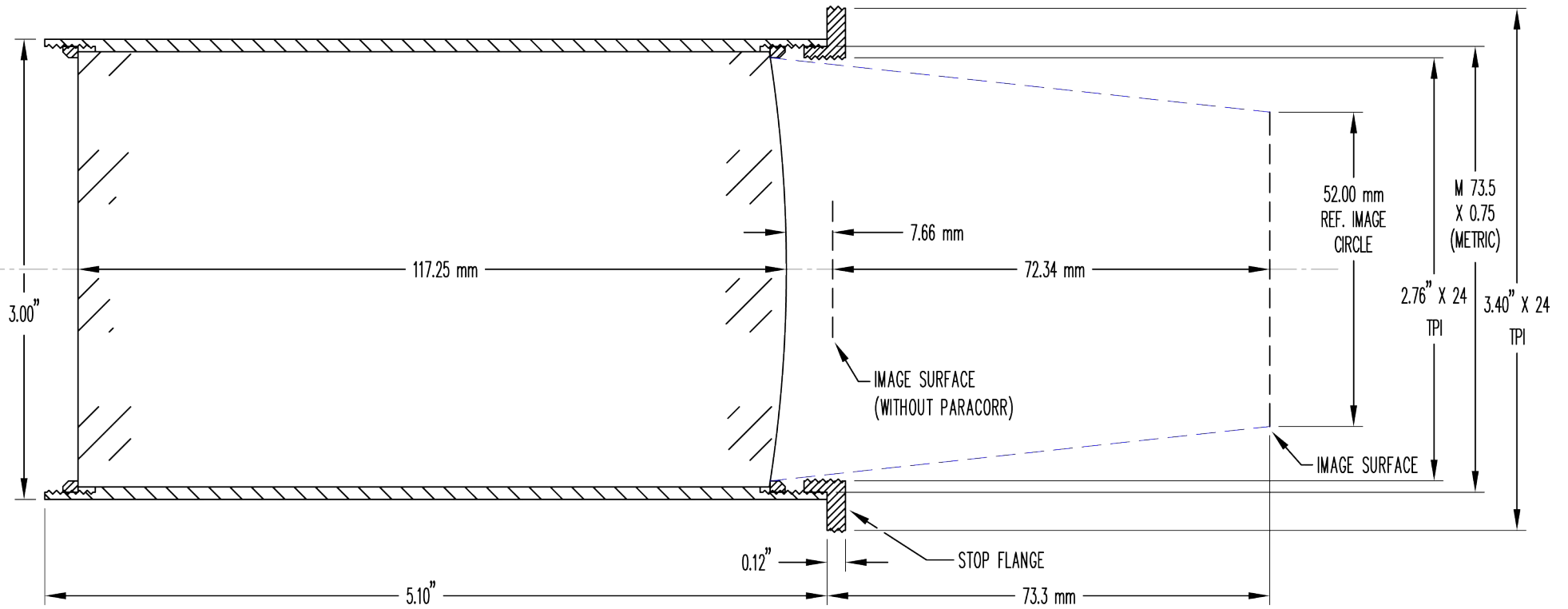
*The new wave of faster parabolic mirrors has given rise to the growth of ever larger aperture Dobsonian mounted Newtonians for the amateur astronomer. These large and fast instruments have the distinct benefits of delivering greater true fields and can eliminate climbing ladders. However, their performance was severely limited by the extreme coma produced as a natural consequence of the primary mirror's shape. With the successful development of our Paracorr type 2, for full-field correction of parabolic mirrors as fast as  $f/3$  (coma is reduced to the equivalent of an  $f/20$  mirror) we've dramatically improved the optical performance and practicality of large aperture Newtonian/Dobsonian telescopes.*

*Imagers have started taking notice of the great price vs. aperture value of these fast, large aperture instruments especially when combined with large chip CCD cameras. However, while the 2" Paracorr type 2 was the answer for coma correction, its 2" format limited available light (vignetting) with increasing field angle. The 2" format is fine visually since secondary mirror size limits maximum exit pupil diameter to around 7mm. The widest true field eyepiece choice with an  $f/3$  ( $f/3.45$  when used with Paracorr) is, therefore, Tele Vue's own 21mm Ethos which delivers a 6.1mm exit pupil at  $f/3.45$ .*

*The new Big Paracorr, designed by Paul Dellechiaie of Tele Vue, was created to extend the Paracorr type 2's optical benefits for imaging applications by amateurs and professionals using CCD formats as large as 52mm diagonal. Back focal length has been extended to 80mm to allow for additional accessories to be placed in the optical path. The 5.1" length optical assembly is topped with a "stop" flange having 3.40"-24 pitch threads to handle various equipment applications.*



**Big Paracorr type 2** Newtonian coma corrector • 3" O.D. • 15% magnification factor • removeable top flange 3.40"-24 threads  
• 80mm Back Focus • Prime Focus moves 72.3mm out from native focus position • Weight: 24 oz. • Length to base of flange: 5.1"



# VIP-3010 BIG PARACORR Type-2<sup>TM</sup>



32 Elkay Dr., Chester, New York 10918 (845) 469-4551. [televue.com](http://televue.com)